

Serie CML9

Condensatori DC Link per circuiti stampati *Printed circuit board DC Link capacitors*

I condensatori CML9 sono ideati e realizzati per essere usati sulle schede di circuiti stampati in alternativa ai condensatori elettrolitici.

CML9 capacitors are designed and manufactured to be used on printed circuit boards in place of electrolytic capacitors.



MECO S.r.l.

Via Pasubio, 44 | 210120 Crugnola di Mornago (VA) | Italy

T +39 0331 1893900 | F +39 0331 1893898

www.mecocapacitors.com | mecol@mecocapacitors.com

Serie CML9

Condensatori DC Link per circuiti stampati *Printed circuit board DC Link capacitors*

Caratteristiche tecniche

Technical details

Tensione nominale <i>Rated voltage</i>	500, 800, 900, 1100, 1300, 1550, 1880
Frequenza nominale <i>Rated frequency</i>	50/60 Hz
Tolleranza capacità <i>Capacitance tolerance</i>	±10%
Temperatura di lavoro <i>Working temperature</i>	-40 +85°C
Terminali <i>Terminals</i>	Copper-wire
Grado di protezione <i>Protection degree</i>	IP00
Norma di riferimento <i>Reference standard</i>	IEC 61071
Aspettativa di vita <i>Life expectancy</i>	>100000 h
Altitudine <i>Altitude</i>	≤2000 mslm <i>masl</i>



Terminali copper-wire
Copper-wire terminals

I vantaggi di questi condensatori progettati con un nuovo tipo di film in polipropilene sono:

- Aumento drastico della vita operativa
- Tensioni e correnti di lavoro elevate
- Basso consumo energetico
- Bassa induttanza
- Bassa resistenza serie
- Dielettrico non polarizzato
- Elevata resistenza a sovratensioni
- Non contiene elettrolita

The advantages of these capacitors designed with a new type of film in polypropylene are:

- *Drastic increase in the operating life*
- *High working voltages and currents*
- *Low energy consumption*
- *Low inductance*
- *Low resistance series*
- *Non-polarized dielectric*
- *High resistance to overvoltages*
- *No electrolyte inside*

MECO S.r.l.

Via Pasubio, 44 | 210120 Crugnola di Mornago (VA) | Italy

T +39 0331 1893900 | F +39 0331 1893898

www.mecocapacitors.com | meco@mecocapacitors.com

Serie CML9

Condensatori DC Link per circuiti stampati *Printed circuit board DC Link capacitors*

$U_N=500V_{DC}$ $C [\mu F]$	$U_{TT}=750V_{DC}$ $D [mm]$	$U_{TC}=3500V_{AC}$ $H [mm]$	$U_S=750V_{DC}$ $R_s [m\Omega]$	$I_{max} [A]$	Cod.
85	50	95	3	25	CML9850BFSE2X
100	50	95	3	25	CML9A00BFSE2X
150	50	95	3	25	CML9A50BFSE2X
200	50	95	3	25	CML9B00BFSE2X
250	50	120	5	30	CML9B50BFSE3X
275	50	120	5	30	CML9B75BFSE3X

$U_N=800V_{DC}$ $C [\mu F]$	$U_{TT}=1200V_{DC}$ $D [mm]$	$U_{TC}=3500V_{AC}$ $H [mm]$	$U_S=1200V_{DC}$ $R_s [m\Omega]$	$I_{max} [A]$	Cod.
60	50	95	3,2	35	CML9600EFSE2X
85	50	95	3,2	35	CML9850EFSE2X
100	50	95	3,2	35	CML9A00EFSE2X
150	50	95	3,2	35	CML9A50EFSE2X
150	50	120	4,5	32	CML9A50EFSE3X
190	50	120	4,5	32	CML9A90EFSE3X
200	50	120	4,5	32	CML9B00EFSE3X

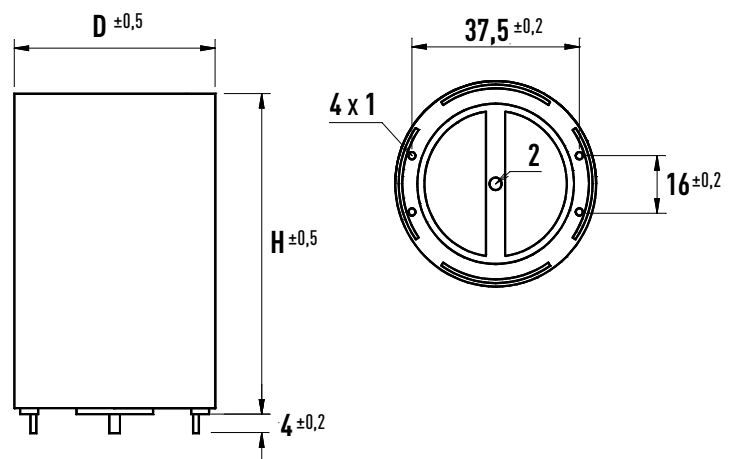
$U_N=900V_{DC}$ $C [\mu F]$	$U_{TT}=1350V_{DC}$ $D [mm]$	$U_{TC}=3500V_{AC}$ $H [mm]$	$U_S=1350V_{DC}$ $R_s [m\Omega]$	$I_{max} [A]$	Cod.
85	50	95	4	35	CML9850FFSE2X
110	50	95	4	35	CML9A10FFSE2X
120	50	95	4	35	CML9A20FFSE2X
150	50	120	5,5	32	CML9A50FFSE3X
160	50	120	5,5	32	CML9A60FFSE3X

$U_N=1100V_{DC}$ $C [\mu F]$	$U_{TT}=1650V_{DC}$ $D [mm]$	$U_{TC}=3500V_{AC}$ $H [mm]$	$U_S=1650V_{DC}$ $R_s [m\Omega]$	$I_{max} [A]$	Cod.
60	50	95	4,2	25	CML9600HFSE2X
75	50	95	4,2	25	CML9750HFSE2X
85	50	120	6	25	CML9850HFSE3X
105	50	120	6	25	CML9A05HFSE3X

$U_N=1300V_{DC}$ $C [\mu F]$	$U_{TT}=1950V_{DC}$ $D [mm]$	$U_{TC}=3500V_{AC}$ $H [mm]$	$U_S=1950V_{DC}$ $R_s [m\Omega]$	$I_{max} [A]$	Cod.
40	50	95	5,5	25	CML9400JFSE2X
50	50	95	5,5	25	CML9500JFSE2X
55	50	120	6	25	CML9550JFSE3X
60	50	120	6	25	CML9600JFSE3X
70	50	120	6	25	CML9700JFSE3X

$U_N=1550V_{DC}$ $C [\mu F]$	$U_{TT}=2325V_{DC}$ $D [mm]$	$U_{TC}=5000V_{AC}$ $H [mm]$	$U_S=2325V_{DC}$ $R_s [m\Omega]$	$I_{max} [A]$	Cod.
36	50	95	6	25	CML9360FSE2X
40	50	120	6,5	25	CML9400FSE3X
50	50	120	6,5	25	CML9500FSE3X

$U_N=1800V_{DC}$ $C [\mu F]$	$U_{TT}=2700V_{DC}$ $D [mm]$	$U_{TC}=5000V_{AC}$ $H [mm]$	$U_S=2700V_{DC}$ $R_s [m\Omega]$	$I_{max} [A]$	Cod.
27,5	50	95	6,5	20	CML9275NFSE2X
32,5	50	120	7	20	CML9325NFSE3X
37,5	50	120	7	20	CML9375NFSE3X



MECO S.r.l.

Via Pasubio, 44 | 210120 Crugnola di Mornago (VA) | Italy

T +39 0331 1893900 | F +39 0331 1893898

www.mecocapacitors.com | meco@mecocapacitors.com